

Sectional overhead doors

Strong piece of technology



alpha opening doors everywhere





Alpha, opening doors everywhere

Distinctive, dependable, durable

Our doors are always open

Alpha Doors International opens up a world of opportunity when it comes to industrial sectional doors. An Alpha door stands out from all other doors – their design, working, the detailing and their versatility. Alpha Doors are distinctive, dependable and durable, a fine example of the innovative strength you've come to expect from Alpha Doors, where our doors have been open to you since 1995!

Quality in every detail

At Alpha we don't think in terms of doors, but in terms of solutions. It is your specific requirements and wishes that are at the forefront of the design and manufacturing process, resulting in doors characterized by their quality and individuality, right down to the smallest detail. These are the doors the market demands and that can be found in any sector and building. In fact, wherever you go you're likely to run into an Alpha door.

Active worldwide

Alpha Doors means high-tech production facilities, a full and high-quality delivery system, a service-oriented approach and very competitive prices. Alpha Doors offers all-in packages that attract and retain an ever-increasing number of designers, builders and entrepreneurs. Our clients, who are located in over 30 countries worldwide, feel at home at Alpha and we always give them a warm welcome. Because our doors are always open.





State-of-the-art production

Innovative trendsetters

Everything under one roof

Alpha produces everything in-house and in accordance with strict European laws, rules and standards. This is our guarantee to you that an Alpha door meets the highest possible requirements. We also have strategic alliances with top manufacturers, allowing us to offer a complete range of industrial and garage doors, all under a single and trusted roof. We purchase parts and components from worldwide preferred suppliers, which means Alpha can guarantee a level of quality that is unique in our industry.



From production to delivery

Our door panels and rail systems are custom-made according to order using the automated facilities in our state-of-the-art production halls. We build the necessary suspension packages in our own factory, with the parts manufactured using specialist tools at our expert suppliers. All components that are part of the package are collected at a pre-programmed location in our warehouse, ready for shipment to any location you wish.

Smarter and better

Alpha aspires to be a trendsetter and so the company continually invests in people, material and means. At the same time, we realise that when purchasing industrial doors our client's main concern is the price. But that does not mean we have to compromise on quality, and so we focus all our attention on creating even smarter and better production methods. This is the only way we can continue to market high-quality precision products at extremely competitive prices.



Precision logistics:

Service-oriented and cost-saving

Just in time, wherever you want

Alpha does not just develop and manufacture, we also take care of everything for our clients from logistics and assembly to service. In order to provide full support to you 24 hours a day, we have divided the Netherlands into four recognisable sales regions. You are always welcome to call on any of these centres for tailor-made advice and any questions you might have. Our centre addresses are listed on the back of this brochure.

Flawless logistics

An Alpha door is made up of high-quality components that are collected at a pre-programmed location in our central warehouse, ready for shipment to the location of your choice. Our fixed transport partner ensures that your order is delivered just-in-time. Furthermore, our experienced assembly team guarantees the flawless assembly of your Alpha doors. And after that? You can always count on our professional service support, 24 hours a day.

Door-calculation

The Alpha Door-calculation program provides the Alpha dealer access to a very useful and user friendly calculation system. Through this system our dealers can prepare and calculate various complete projects. The system is constructed and build up with different product groups. ISO, ALU and Panorama Sectional Doors in 40 mm and 60 mm thickness, Roller and fast action Roller Doors, Garage Doors, Levellers and Shelters (Docking Equipment)

The output from our calculation system generates offers and detailed project descriptions ready to be sent to their client and dealer corporate identity is also an option. Alpha offers further professional service as the client specific conditions are set within the system and at any given time the price is shown.



The benchmark for sectional doors

Intensively tested and checked



Safety certified




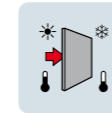


Alpha products are subject to constant and intensive durability tests. In these tests, the prototypes open and close 30,000 times, after which they are assessed by experts. This constant attention to quality and safety has borne fruit, and our sectional doors and their physical qualities are fully EN13241-1 compliant and are integrally TÜV Nord certified.

Physical qualities

Numerous mechanical and electronic qualities of the Alpha sectional doors are checked during the thorough tests. These tests, performed by TÜV Nord, the stringent German certification and inspection body, mean that each tested physical quality receives its own classification, making it easier to compare similar products from different manufacturers.

Assessment criteria

Alpha sectional doors are tested for:

-  Resistance and wind load
-  Sound absorption
-  Waterproofness
-  Heat insulation
-  Air permeability
-  User safety

Regelmäßige Sicherheitsüberprüfung und Wartung
Für den sicheren Betrieb der Toranlage ist der Betreiber verantwortlich!
Um dies sicherzustellen, sind in regelmäßigen Abständen an der Anlage Prüfungen durch einen Sachkundigen vorzunehmen. Gemäß der Norm DIN EN 12638 und der berufsgenossenschaftlichen Regeln ASR A 1.7 müssen halbjährlichen Torinspektionen einmal jährlich von einem Sachkundigen überprüft werden.
Hinweise für Tore mit Haspelkettenantrieb
Kette nicht rückseitig betätigen
Grundsätzlich Tor ausschließen
Kette immer zur Anlenkung einhängen

Wartung
- Gummehalter und harte Reinigungsmittel wie Scheiber, Rasenmäher, Spateln benutzen
- Schweißmittel, Lösungsmittel oder Glasreiniger einsetzen
- Hochdruckreiner verwenden

Wartungshinweise für Torverglasungen
Um Abriss und starke Oberflächenbeschädigungen unserer Torverglasung zu vermeiden, beachten Sie bei der Pflege und Reinigung bitte folgende Hinweise:
- Bei jeder Reinigung sollte zunächst mit lauwarmem Wasser (Schlauch) abgespült werden. Optimal ist danach die Reinigung mit einer weichen Autowaschbürste, die durch einen Schwebeschwamm gemeinsam mit sauberem Wasser versorgt wird.
- Zum Trocknen benutzen Sie bitte ein sauberes, feuchtes Frotteetuch. Der einzige zulässige Reinigungsmittelersatz ist ein mildes Geschwammpulver.

Bitte niemals

Wasserdichtheitsklasse: 1
Widerstand gegen Windlastklasse: 2
Wärmedurchgangskoeffizient: 3,15
Luftdurchlässigkeitklasse: 1

EN 13241-1
CE
(89/106/EWG, 2006/42/EG, 2004/108/EG)

Alpha Deuren
Eckhegstra3 - 6942 GB Didam
Tel. 0316 - 22 80 66 Fax. 0316 - 22 76 62

16/19

QR code

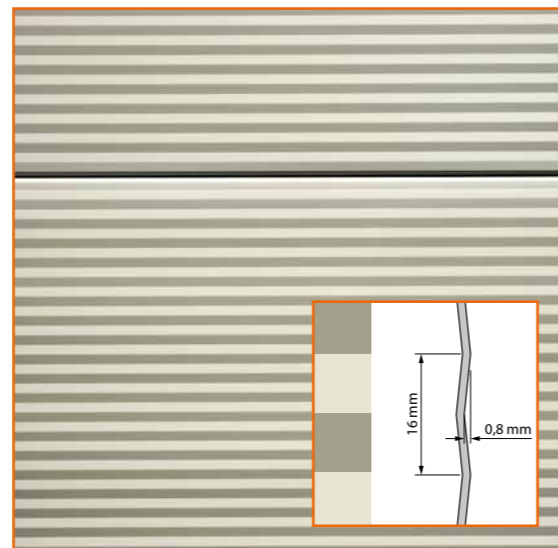




ISO 40 mm

Alpha's all-rounder

The ISO 40 mm sectional door is Alpha's most popular door, a modern design that unifies excellent thermal insulation and sound absorbing qualities in its micro-profiled panels. The choice of design and materials are endless, which means the door can always be perfectly configured to meet your wishes. Numerous types of built-in windows as well as different heights and widths make up the ISO 40 mm range, as well as a variety of 10 standard Alpha's in-house RAL colours.



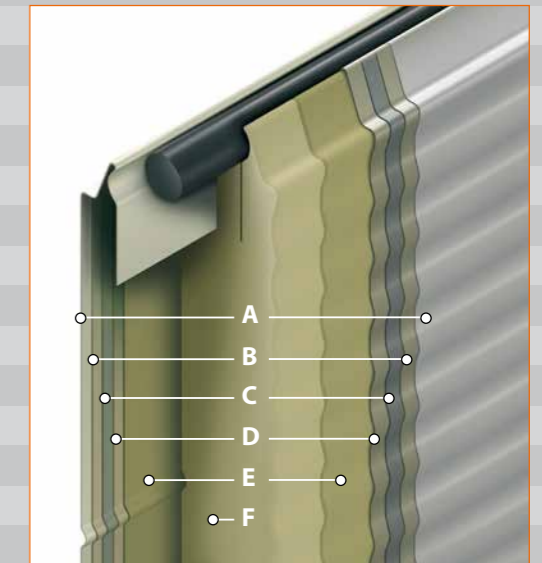
Micro-profiling, it's the standard! 10 Standard colours without any extra charge



U-value ISO 40 mm sectional door: 5,000 x 5,000 mm: 1.05 W/m²K

Sandwich-construction ISO 40 mm panel

Panel thickness:	40 mm
Thermal conductivity:	$\lambda=0,025$ W/mK
Insulation value:	$U=0,52$ W/m ² K
Density PU foam:	40 kg/m ³



A Paint layer:	10 standard colours (outside)
B Zinc coating:	275 g/m ²
C Steel sheet:	0,5 mm
D Zinc coating:	275 g/m ²
E Primer coating	
F PU high density foam:	$g=40$ kg/m ³ and HCFC-free
E Primer coating	
D Zinc coating:	275 g/m ²
C Steel sheet	0,5 mm
B Zinc coating:	275 g/m ²
A Paint layer:	RAL 9002 (inside)

Flexibility is everything

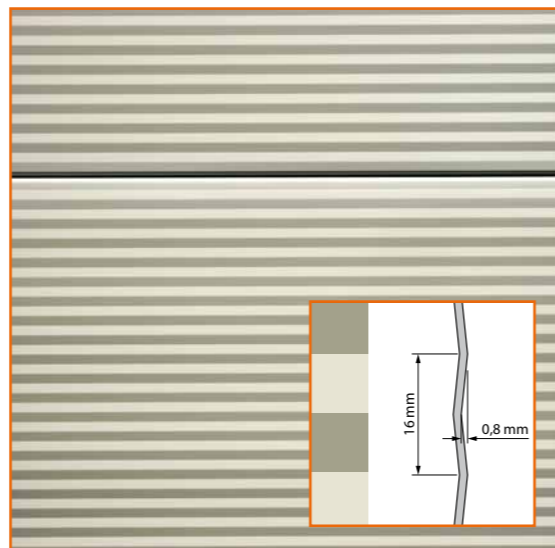
ISO 40 mm sectional doors are designed and manufactured using the very latest technology. Their finish is robust and detailed, as demonstrated by the metal or aluminium end caps, the reinforcement profiles and the anodized aluminium sub-profiles, which cannot be seen from the outside. Flexibility is everything in the manufacturing process, and it is a true all-rounder that perfectly combines price, performance and application options.



ISO 60 mm

The effective partition between climate zones

ISO 60 mm sectional doors are overhead doors with extra-insulating and sealing properties that are mainly used in locations where the division between different climate zones is important. If you need to keep your production hall or storage area at a constant temperature, the ISO 60 mm door is the right one for you. The micro-profiled steel plate panels have excellent sound-absorbing and heat-insulating properties and they can withstand all the elements.



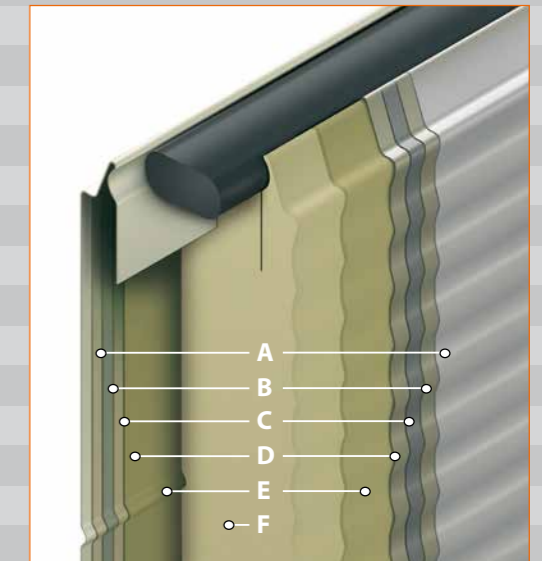
Micro-profiling, it's the standard! 10 Standard RAL colours without any extra charge.



U-value ISO 60 mm sectional door: 5,000 x 5,000 mm: 0.77 W/m²K

Sandwich-construction ISO 60 mm panel

- Panel thickness: 60 mm
- Thermal conductivity: $\lambda=0,025$ W/mK
- Insulation value: $U=0,35$ W/m²K
- Density PU foam: 40 kg/m³

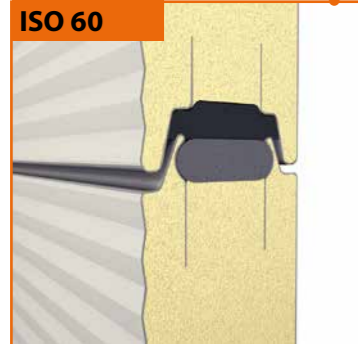
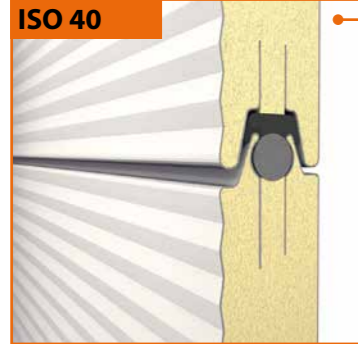


- A Paint layer: 10 standard colours (outside)
- B Zinc coating: 275 g/m²
- C Steel sheet: 0,5 mm
- D Zinc coating: 275 g/m²
- E Primer coating
- F PU high density foam: $g=40$ kg/m³ and HCFC-free
- E Primer coating
- D Zinc coating: 275 g/m²
- C Steel sheet 0,5 mm
- B Zinc coating: 275 g/m²
- A Paint layer: RAL 9002 (inside)

Very high insulative value

The panels of the ISO sectional doors are manufactured using what is known as the sandwich method, a process that entails a layer of CFC-free rigid polyurethane foam being inserted between two zinc-coated steel plate sheets and glued in place. The doors are available in 10 standard colours. The steel plate sheets can also be spray painted in a RAL colour of your choosing.

Interior view ISO 40 mm



Panel seal

The panels of the ISO 40/60 door are specially sealed to make them completely wind and waterproof using Compriband, a polyurethane sealing strip that is attached between the panels. Additionally, the ISO 40/60 doors are fully insulated, because the inner and outer door panels are not attached to each other.

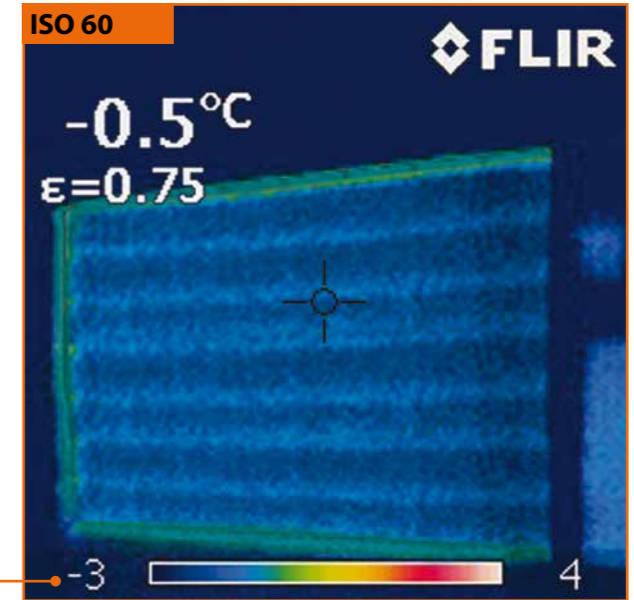


Standard frame

The standard frame between the door and the vertical railing ensures that the sides of the door seal properly.

Heavy-duty frame

We use this type of frame for doors with a dark colour. Due to the heat of the sun, the door may expand in the middle against the upper lintel. The heavy-duty frame prevents this from happening.



Infrared imaging

The ISO 60 mm sectional door insulates even more effectively than the ISO 40 mm door. We check this feature by taking infrared images of the assembled doors. Any light spots indicate where energy loss occurs, while the dark regions are well-insulated.



Wind load

Depending on the width of the door, Alpha will install reinforcing profiles on the door. Thanks to these, the door is able to withstand a heavy wind load, in accordance with the applicable rules and standards.

The interior

The interior of the ISO 40 mm and ISO 60 mm sectional door is horizontally profiled and is coated in RAL 9002 as a standard. Other colours are available on request at an additional cost.

Alpha's in-house range

Alpha provides 10 standard colours (no extra charge)

Thanks to Alpha, architects can now indulge in design and colour variations.

The optical properties of the microprofiled sheet plate makes the doors perfectly suited to modern industrial architecture.

Alpha's in-house range offers 20 common RAL colours to give each door its very own personality— at no extra cost. Thanks to this selection of colourfast coil coatings, the doors can always be seamlessly integrated into your company's look.

Do you have special requirements when it comes to the colour? Alpha can offer you a whole rainbow of colours.



RAL 3000



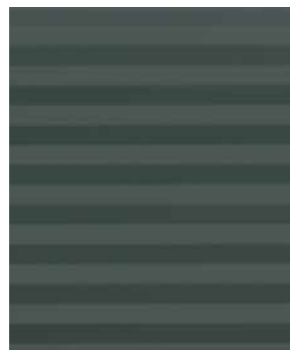
RAL 5010



RAL 6009



RAL 7005



RAL 7016



RAL 8014



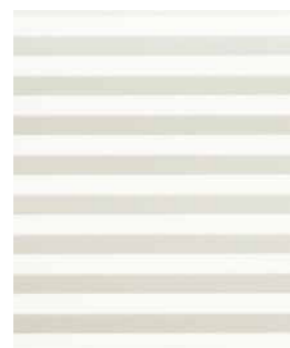
RAL 9002



RAL 9006



RAL 9007



RAL 9010

Types of windows

The purpose of windows

ISO sectional doors can be fitted with Plexiglas windows for increased natural light and improved visibility. The standard windows are oblong, with straight or rounded corners containing single or insulating double glazing.

For additional security against intruders, narrow rectangular windows with rounded corners are also available. Are you looking for a one-of-a-kind design? Then go for the rounded windows or a creative pattern made up of windows.



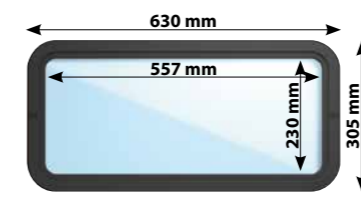
% : The light yield of the various windows



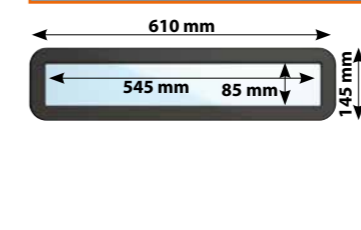
Lots of light and great visibility



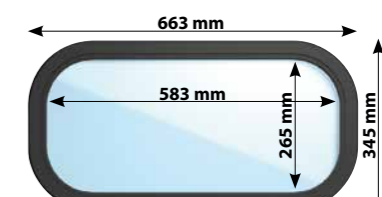
Straight corners, excellent insulative value



Rounded corners (r=60 mm), excellent insulative value



Narrow, burglar-proof windows



Rounded corners (r=100 mm), excellent insulative value



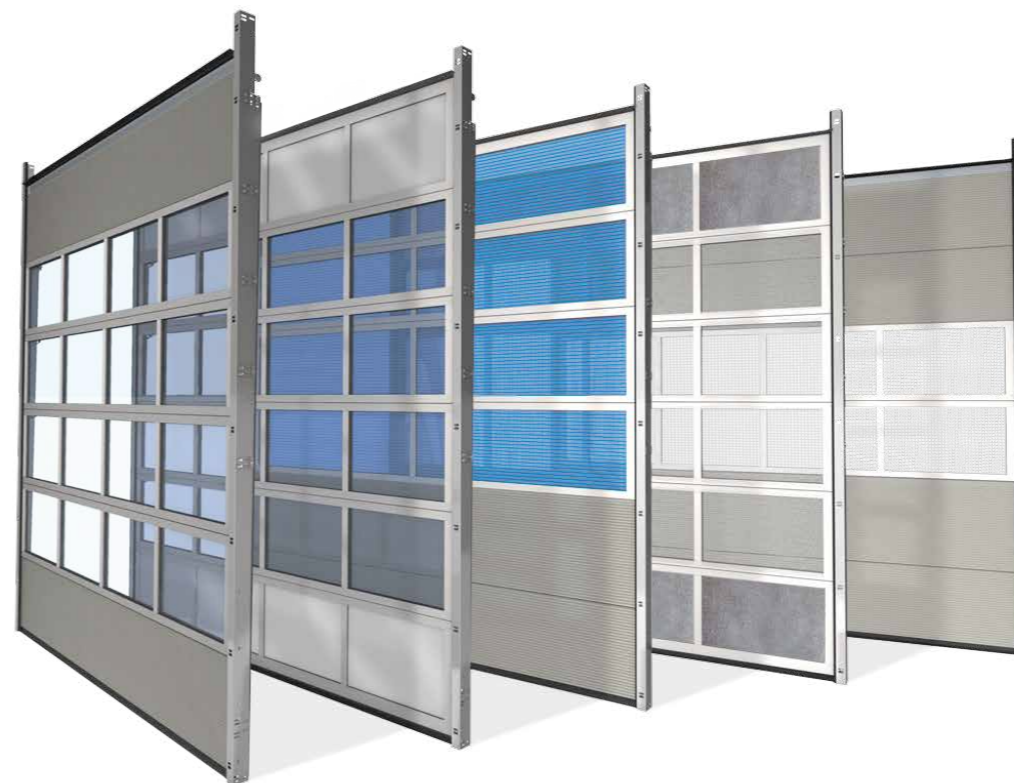
Attractive round windows



ALU 40 mm

When natural light and visibility matter

In industrial environments, where light and visibility are of paramount importance, the Alpha ALU 40 mm sectional door proves to be indispensable. The door panel of an ALU door consists of multiple sections, and thanks to the custom-sized aluminium profiles, frames can be manufactured that have a very wide range of uses. Be bold and combine transparent, coloured, insulating or air-permeable windows with aluminium cassette panels. Anything is possible.



U-value of ALU 40 mm sectional door: 5,000 x 5,000 mm: 4,25 W/m²K

Be adventurous with windows

ALU 40 mm sectional doors can be equipped with plastic window frames of various levels of quality and with different insulative values, colours and builds. Go for coloured glass or hollow-core plates, play with the divisions or combine various ISO panels with the ALU sections for a great result. Thanks to the plethora of design and application options, the ALU 40 mm sectional door is particularly useful if you want to combine an attractive design with optimal light transmittance.



ALU 60 mm

The innovative door with even more insulation

The ALU 60 mm sectional door is a modern innovation that excels in terms of design, function and ease of assembly. The 60 mm thick ALU sectional door comes with triple glazing and guarantees excellent heat-insulating, anti-condensation and sound-absorbing properties. It's the perfect solution for rooms where light, visibility and a constant indoor climate are essential.



U-value ALU 60 mm sectional door: 5,000 x 5,000 mm: 2.35 W/m²K, with triple glazing

Special insulation profiles

The ALU 60 mm door is twice as thick as the ALU 40 mm door and consists of two aluminium profiles that are thermally separated by special insulation profiles. The door has an extremely low U-value, even though it is fitted with glazing. The ALU 60 mm sectional door is particularly suited to industrial facilities where illumination is of the utmost importance, as are excellent insulation and optimal energy savings.



Panorama door 40 / 60 mm

Maximum transparency, Without vertical profiles

The Panorama door is an ALU door available in 40 mm or 60 mm versions. What makes the door so special is that panels **do not have vertical dividers**, providing a wide panoramic view. The high-quality Plexiglas is extra thick and extra strong, hardly distorts and it looks just like real glass. All these features result in the windows being naturally reflective and looking highly attractive.



ALU 40
Panorama door 40 mm
Double Plexiglas
Optical 20 mm
(4-12-4 mm)

**U-value of the
Panorama door 40:**
4,000 x 4,000 mm:
4,35 W/m²K

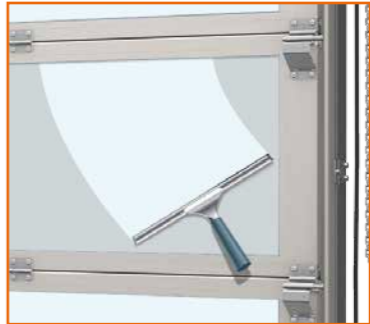


ALU 60
Panorama door 60 mm
Triple Plexiglas
Optical 40 mm
(4-14,75-2,5-14,75-4 mm)

**U-value of the
Panoramic door 60:**
4,000 x 4,000 mm:
2,45 W/m²K

Plexiglas Optical

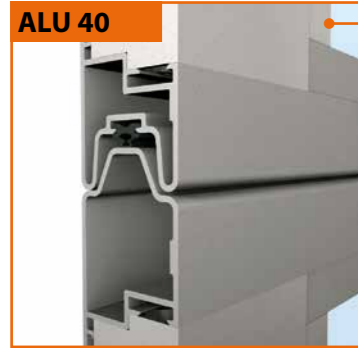
The Panorama door is available in a maximum width of 4,000 mm and a maximum height of 4,500 mm. The Panorama doors look particularly good in buildings that are designed to be appealing, but are just as important where light and visibility matter. The special thing about the high-quality Plexiglas Optical is that it looks just like real glass but has the added safety of plastic. The Plexiglas Optical windows are available in 20 mm double glazing and in 40 mm triple glazing.



Highest scratch-resistance

– Therefore that you do not lose the vista

Interior view ALU 40 mm / ALU 60 mm



Section connection

The sections of an ALU 40 door are specially sealed to make them completely wind and waterproof using an EPDM rubber door seal.



Aluminium glazing beads

Aluminium glazing beads stay perfectly sealed and retain their high-quality appearance, even in wide temperature fluctuations.



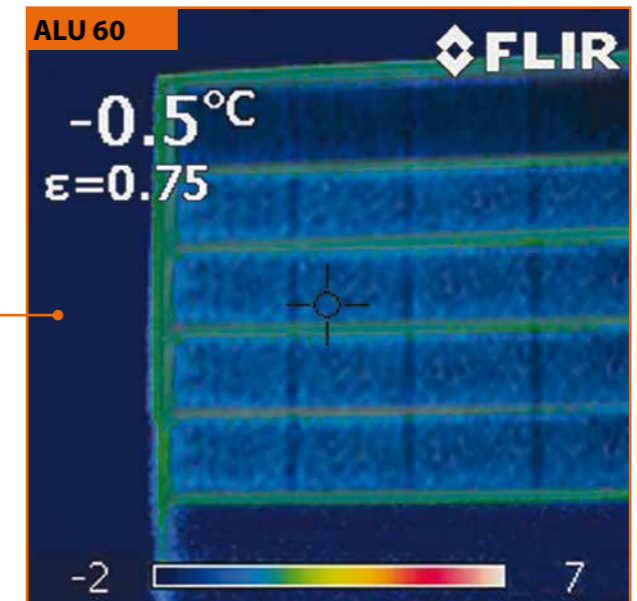
Wind load

Depending on the width, the ALU sectional door is fitted with integrated single-piece reinforcement profiles. Thanks to the reinforcement profiles, the door is able to withstand a heavy wind load. Depending on the door configuration chosen, we use thicker and/or longer profiles. For a door of 4,200 mm and wider, every other panel has a profile, while for a door of 5,000 mm and wider, each section has a reinforcement profile.

Condensation

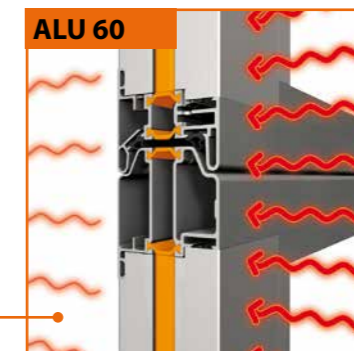
Condensation will soon appear on the inside of a standard ALU 40 door at low outdoor temperatures and a high indoor atmospheric humidity. This is because condensation forms on the coldest surface in the room, which is the door.

If you wish to stop condensation forming on your doors, the ALU 60 door is the one for you. Condensation will never be an issue – even if indoor humidity levels are high – thanks to the fact that the door is equipped with special insulation profiles.



Infrared imaging

The ALU 60 guarantees you a very high insulative value. We check this feature by taking infrared images of the assembled doors. Any light spots indicate where energy loss occurs, while the dark regions are well-insulated.



Section seals

The sections of the ALU 60 door are specially sealed to make them completely wind and waterproof. Any heat transmission is prevented by the special insulation profiles.



Triple synthetic glazing

The ALU 60 door is fitted with triple glazing as a standard for additional insulation. The windows are fitted in thermally separated insulation profiles. Double synthetic glazing is also available, although that means the insulative value will be lower.



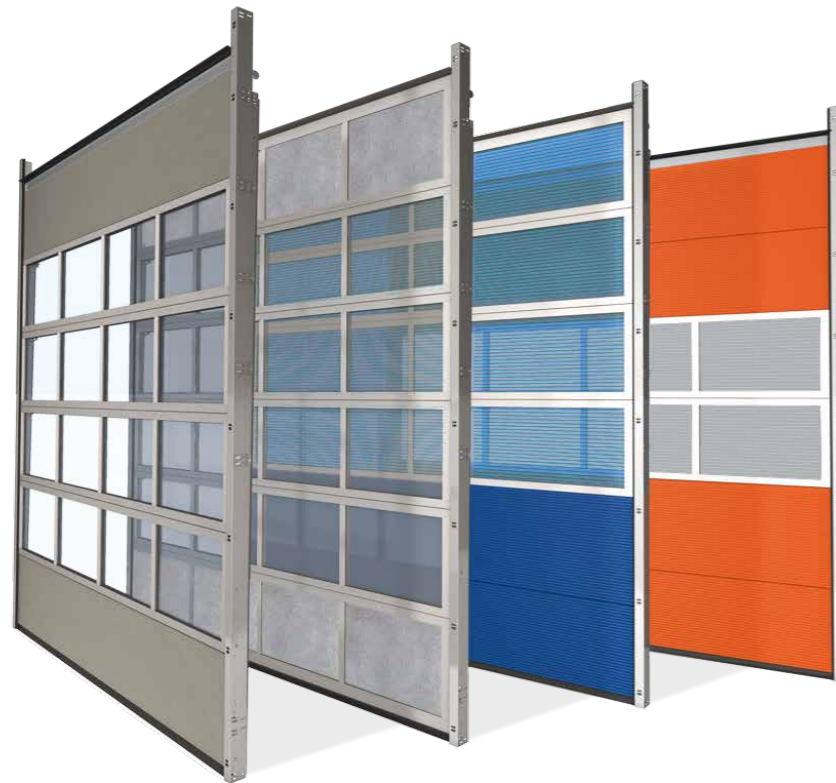
Aluminium glazing beads

Alpha is one of the few companies to always use anodised aluminium glazing beads. You will often see windows fixed in place using a black plastic bead, which is not only less attractive and less durable, but also has a different coefficient of expansion than aluminium. If it is warm outside, the plastic is more likely to expand, resulting in bulging glazing beads, which will not happen with our aluminium glazing beads. Another advantage is that our glazing beads are available in any colour you wish.



Different options

Alpha offers limitless choices in glazing for ALU doors. Windows of various levels of quality, colours, degrees of transparency and styles are available, giving architects all the room they need to get creative with the design of your ALU doors. Choose from single-plate acrylic or 4 mm tempered glass, double-plate acrylic windows or structural glass, or from perforated single panels or high-impact plastic. The possibilities are endless.



Combining colours

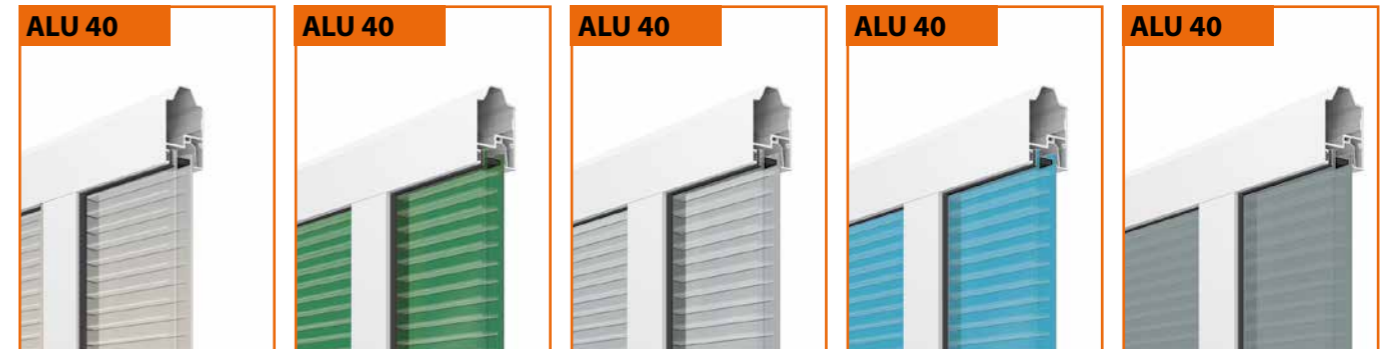
The standard ALU door comes in white anodised aluminium. This does not mean that there are no alternative colour options. We can spray-paint the aluminium in any colour you wish. And by combining the aluminium with Rodeca glazing or ISO panels in one of the 10 colours from Alpha's in-house range, the design options are limitless.



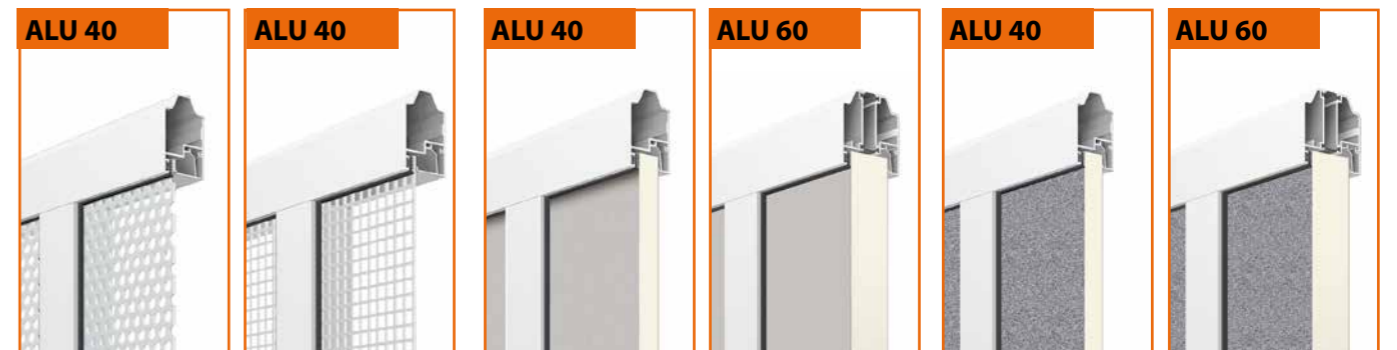
ALU 40
Double-glazed transparent plate
 (20 mm) in: acrylic, polycarbonate, Plexiglas Optical (light transmittance 100%)
ALU 60
 (40 mm) in: acrylic, polycarbonate, Plexiglas Optical (light transmittance 100%)

ALU 60
Triple glazing transparent plate
 (40 mm) in: Plexiglas Optical (light transmittance 100%)

ALU 40
Double-glazed partially transparent plate
 (20 mm) in: structural glass (SAN) (light transmittance 80%)
ALU 60
 (40 mm) in: structural glass (SAN) (light transmittance 80%)



ALU 40
5-core polycarbonate hollow-core plate
 (20 mm) transparent (light transmittance 63%)
ALU 40
 (20 mm) green (light transmittance 50%)
ALU 40
 (20 mm) grey (light transmittance 42%)
ALU 40
 (20 mm) blue (light transmittance 38%)
ALU 40
 (20 mm) anthracite (light transmittance 5%)



ALU 40
Single-walled perforated ALU plate
 (20 mm) round perforation (air transmittance 40%)
ALU 40
 (20 mm) square perforation (air transmittance 70%)

ALU 40
Double-wall closed sandwich version
 (20 mm), smooth plate on the outside and plaster on the inside
ALU 60
 (40 mm), smooth plate on the outside and plaster on the inside

ALU 40
Double-wall closed sandwich version
 (20 mm), plaster on the inside and outside
ALU 60
 (40 mm), plaster on the inside and outside

Track-systems

High-quality modular ease of assembly

Alpha rail systems are modular and largely pre-assembled. The rail systems can be used for both ISO and ALU doors, such as the Panorama door. Certified quality and durability are at the forefront of the design and assembly of our rail systems and suspension packages.



Spring buffer

The sturdily-built spring buffer ensures that the door will lower as soon as it is prompted to do so. The length of the spring buffer depends on the door configuration.



Floor plate

The floor plate ensures that the rail connects to the floor and, together with the expansion joint profile, sets the correct distance between the guides.



M8 bolts

We always use M8 bolts to join the sheet metal sections and rail profiles. That means that, together with the carefully pre-assembled components, assembly time is very short.



Cable position

Thanks to the modular structure of our rail systems and sheet metal components, we can ensure the perfect cable position in relation to the vertical rails, which results in optimal safety and reliability.



Safety tracks

The safety guide guarantees that the rollers do not become derailed. The cable is safely encapsulated in the construction as an additional safety measure.



Top seal

The upper door panel of the ALU 40 door is equipped with a rubber door seal, which provides additional insulation and ensures the best possible connection to the upper lintel. The door fits seamlessly and no energy is lost.

Top seal

The upper door panel of the ALU 60 door is equipped with a rubber door seal, which provides additional insulation and ensures the best possible connection to the upper lintel. The door fits seamlessly and no energy is lost.

Single side hinge

Alpha uses single side hinges for doors that open up to 5 meters. They are sturdily built and ensure that the door hangs well and closes properly.

Double side hinge

Alpha uses double side hinges for doors that open more than 5 meters. This ensures that even the heaviest of doors hang well.



Floor seal

Alpha uses double rubber sealing strips to ensure that the door is flush with the floor. Together with a concrete strip, this will prevent water from seeping under the door.



Floor seal

Alpha uses double rubber sealing strips to ensure that the door is flush with the floor. Together with a concrete strip, this will prevent water from seeping under the door.



Standard frame

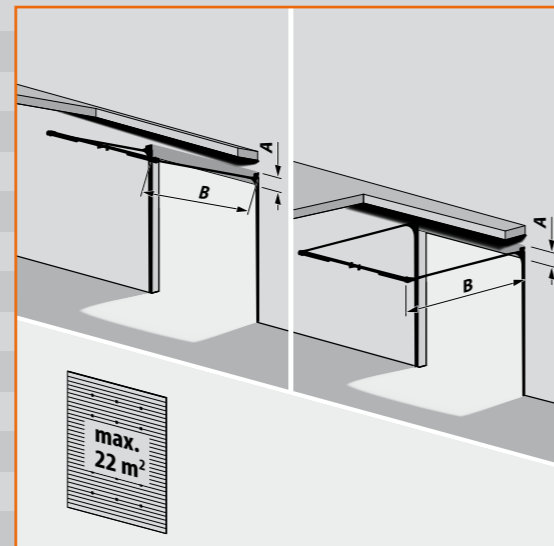
The standard frame between the door and the vertical railing ensures that the sides of the door seal properly.

Heavy-duty frame

We use this type of frame for doors with a dark colour. Due to the heat of the sun, the door may expand in the middle against the upper lintel. The heavy-duty frame prevents this from happening.

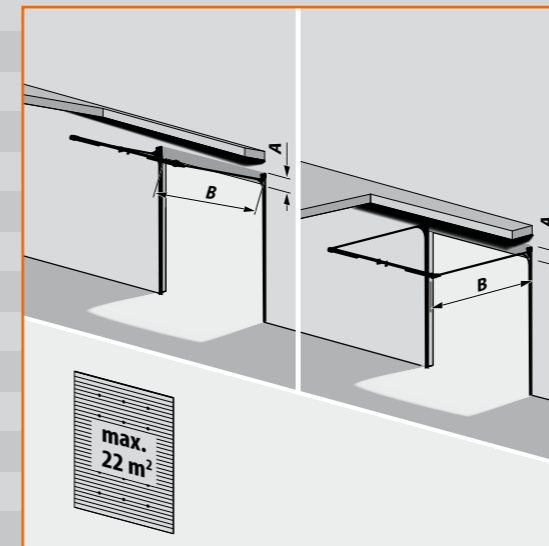
Overview of rail systems

Of course the space available for the door and structural issues remain deciding factors when it comes to installing a door, which is why Alpha offers different rail systems that can be customised to suit any scenario.



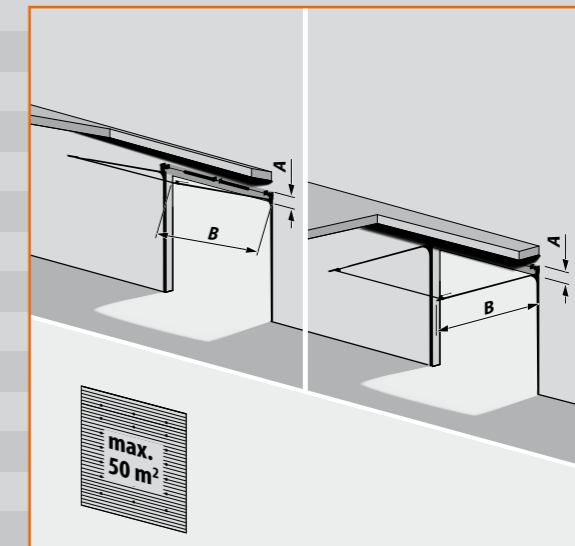
T 240
low built-in rail system, incorporated cables + steel support profile

A= 240 mm, B= open height + 1,000 mm
 Width max. 6,500 mm



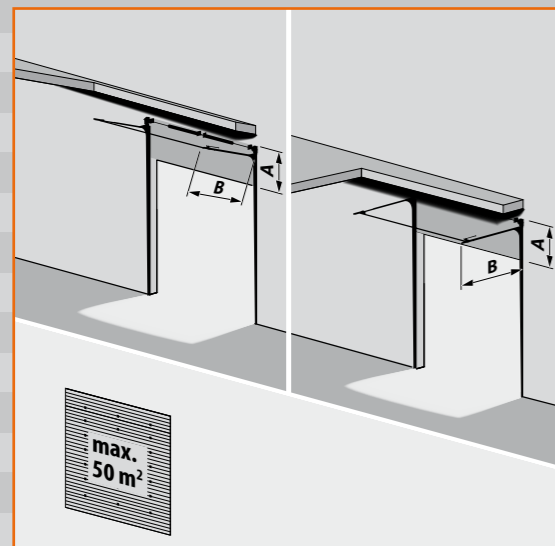
T 340
standard rail system, rear suspension package + steel support profile

A= 340 mm, B= open width + 750 mm
 Width max. 4,500 mm



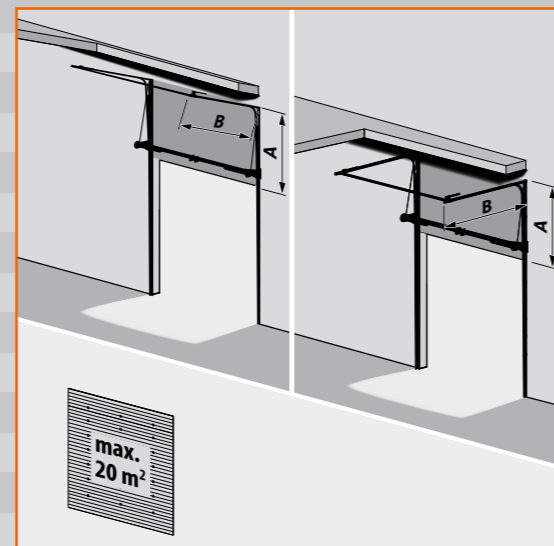
T 450
standard rail system (comes standard)

A= -700 mm, B= open height + 650 mm



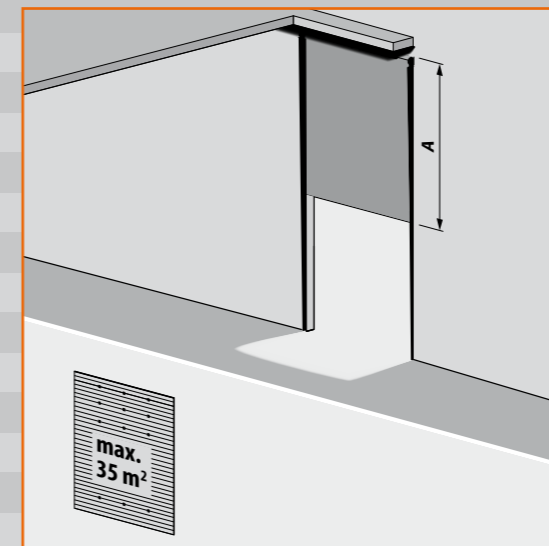
T 400
elevated rail system

A= hoisting + 400 mm,
 B= open height - hoisting + 600 mm



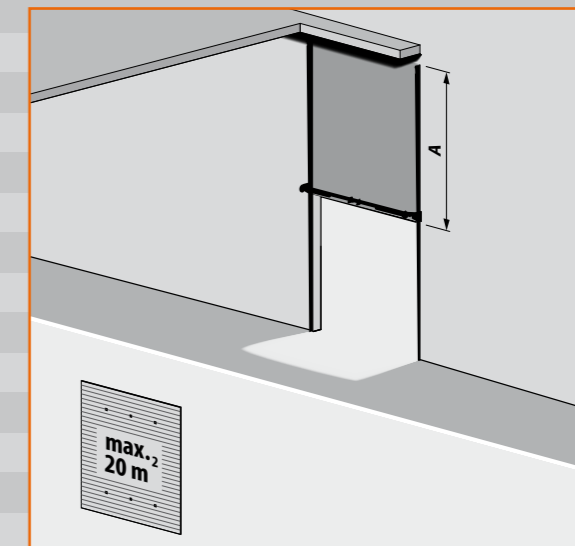
T 400 hF
elevated rail system with low spring axis + steel support profile

A= hoisting + 200 mm, B= open height - hoisting + 600 mm
 Width max. 4,500 mm
 Lift min. 1,450 mm



T 500
vertical rail system

A= open height + 550 mm, B= n/a



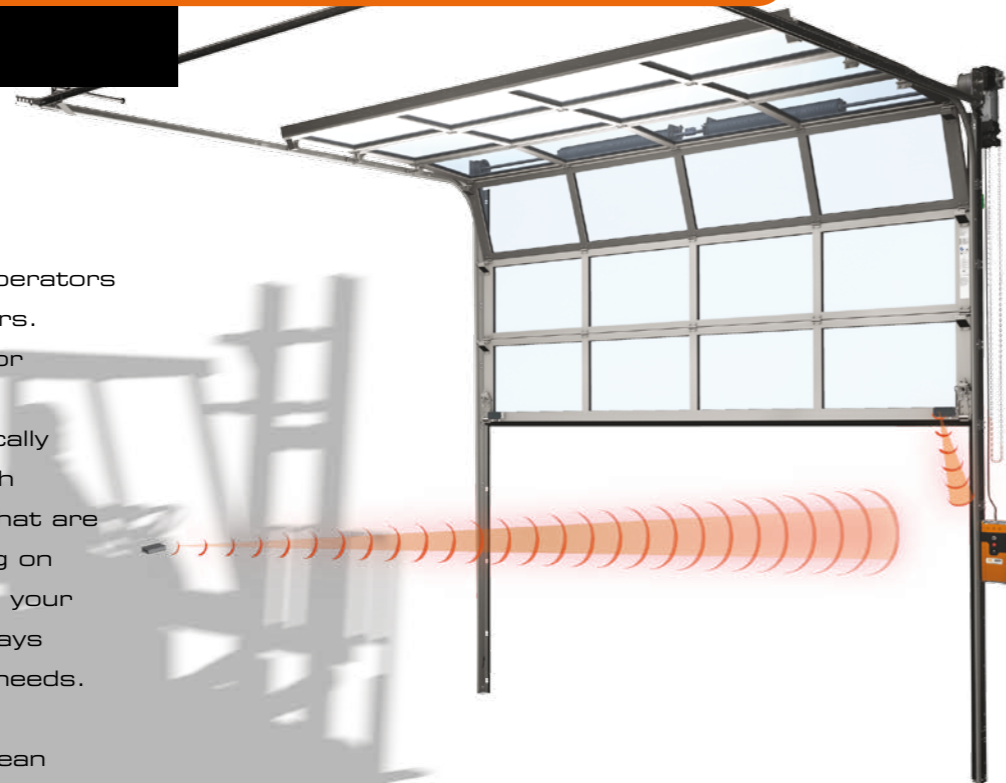
T 500 hF
vertical rail system with low spring axis + steel support profile

A= open height + 400 mm, B= n/a
 Width max. 4,500 mm

Power

Operators

Alpha offers a variety of operators for powering sectional doors. A manual system is ideal for doors that are not used frequently, while an electrically powered system with touch control is best for doors that are in constant use. Depending on the door configuration and your requirements, there is always a mechanism to suit your needs. All our drive systems and operators meet the European EN-13241-1 standard.



Pull cord – manually operated

If your door is smaller than **16 m²** and you use it only sporadically, then your best option is the pull-cord mechanism. However, the system requires physical exertion (1:1 ratio) and there is a risk the door will not open sufficiently, which may result in damage.



Chain hoist – manually operated

The chain hoist requires less physical exertion than a pull-cord (1:4 ratio). The system – suitable for sectional doors up to **30 m²** – ensures that the door can be secured in the uppermost position.



Dead man's switch – electric

This system is an excellent choice when a door is used infrequently. One push of the button is all that's needed to open the door, although you have to keep it depressed to close the door. This enables the person operating the controls to keep an eye out for any dangerous situations that may arise while the door is closing.



Touch control – electric

If the doors are in constant use then go for a touch control. The door raises or lowers automatically to a set position, which can be electronically adjusted, without having to keep the button depressed. An obstacle detection system is built into the door's bottom seal.



One touch with remote control

The touch control system is also perfect for remote operation and can save a lot of time, because it allows the forklift driver to remain seated while the door is opened or closed remotely. This option includes a stationary photoelectric safety sensor, which is fitted to the door.



Touch control with remote control and high speed motor

If the doors are in constant use then go for a touch control. The door raises or lowers automatically to a set position, which can be electronically adjusted, without having to keep the button depressed. An obstacle detection system has been built into the door's bottom seal.

Control box features

Alpha offers a wide range of top-quality controls for your sectional door that can be integrated into the door system's control box. Numerous elements can also be mounted on an interior or exterior wall, a pillar or anywhere else, including safety devices, switches, remote controls, warning lights and much more.



Motor with emergency chain

All the drive systems have a mechanical back-up system fitted to the reduction gearbox of the electric motor, so that the sectional door can be opened if the power fails. It must be activated and deactivated manually using pull cords. The reduction gearbox can then be powered using the chain.



Motor with release system

The motor can also be fitted with a release system. Cables are used to disconnect the reduction gearbox from the spring shaft, which means that the sectional door can be opened faster in the event of malfunctions. It goes without saying that sectional doors with a release system are fitted with a spring break safety device.



Main switch with padlock

The main switch can be used to turn off the power so that the door system can be serviced. Securing this switch with a padlock prevents unauthorised people from accidentally turning the power on while the service is being carried out.



Key switch

The key switch is used to disable the control box and prevent unauthorised people from operating the door. Only authorised people have a key to activate the door.



Two setting switch

You can use this switch to configure two settings. For example, push the button once to raise the door to the height of a person and twice to open the door fully. This option is ideal if you want to save energy and don't always need to open the door completely.



Emergency stop

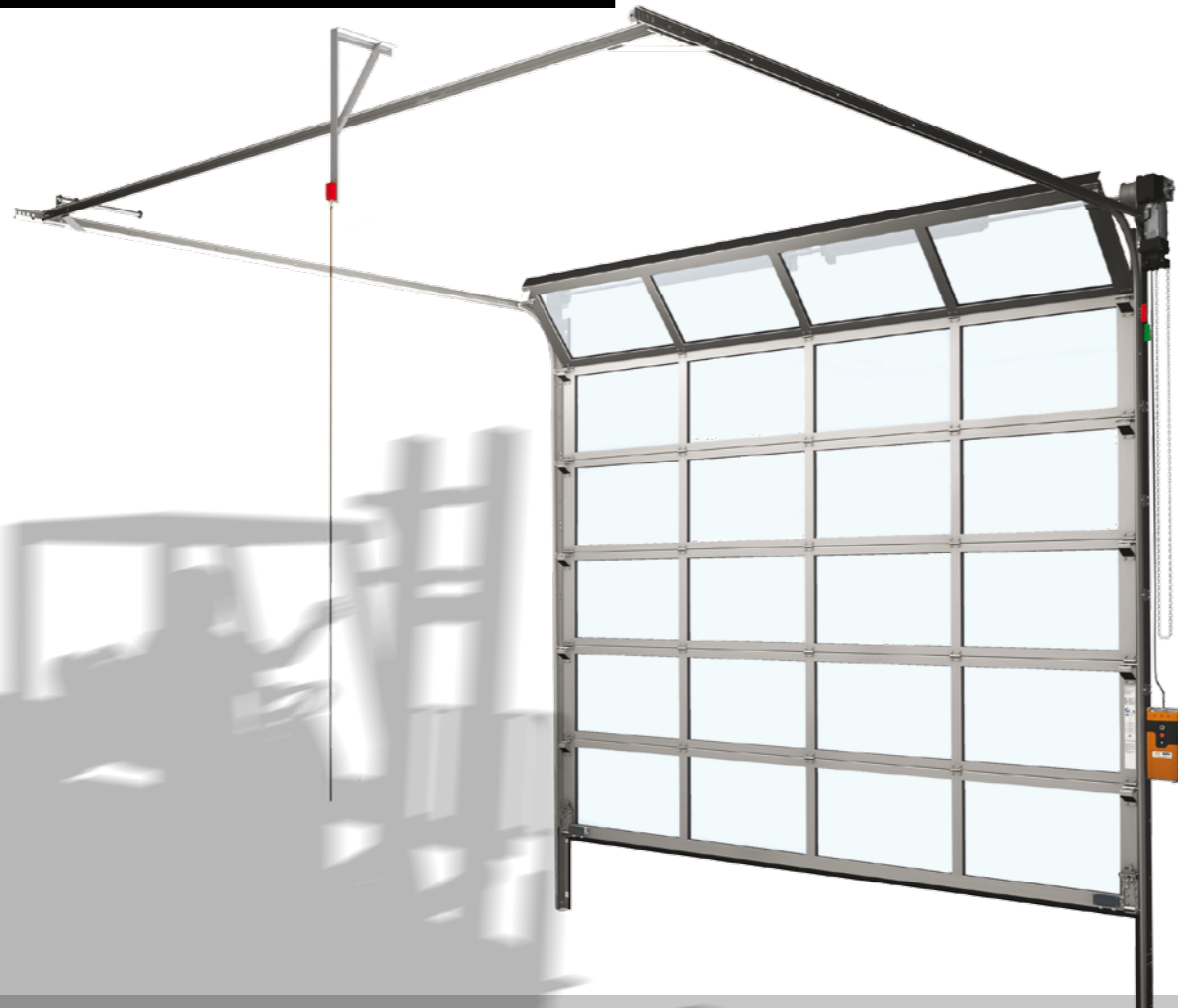
Alpha offers the option to have an emergency stop installed in the control box when local, national or international legislation stipulates that an electrically operated sectional door must have this safety feature.



Wireless communication

Normally, the control box and the connection box on the door panel are connected by means of a spiral cord. But this cord can get in the way and be damaged. That's why Alpha supplies connection boxes that are fitted with a battery and can transmit signals, such as detection messages, wirelessly to the control box.

Extra control features



Extra control panel

An extra control panel is the ideal solution if a door needs to be operated from multiple places or remotely, such as from a guardhouse. This handy 'up-stop-down' box features all the buttons in the standard control box.



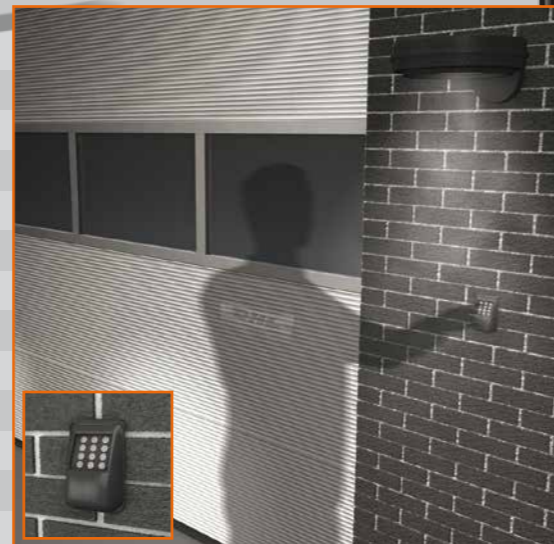
Traffic lights and warning lights

Traffic lights and warning lights installed on either side of a door are an effective way of preventing injury to people and damage to the sectional doors and goods. Warning lights alert people and light up before a door opens, while traffic lights control the traffic and prevent damage to the doors.



Key switch

The door can be operated using a separate key switch, which can be mounted on the exterior wall. There are two models: the built-in version, which is used a lot in new properties, and the mounted version, which can be installed during a renovation without having to break or dismantle anything.



Electronic keypad

If access to a door is required 24/7, it can be fitted with an electronic keypad. This is particularly handy if transport and courier companies need to have round-the-clock access to secure collection or delivery points.



Pull switch

The forklift driver can use the pull switch to operate the door while staying seated. This is the ideal solution if you have a lot of employees, but don't want to give all of them a hand transmitter for the door. The pull switch is often mounted on a frame a few metres in front of or behind the door.



Remote control

Alpha has included a receiver in your door's control box, making it easy to upgrade the door system to a remote-controlled one. You can choose between one, two or four-channel transmitters, which can operate four different doors.



Mechanical safety devices

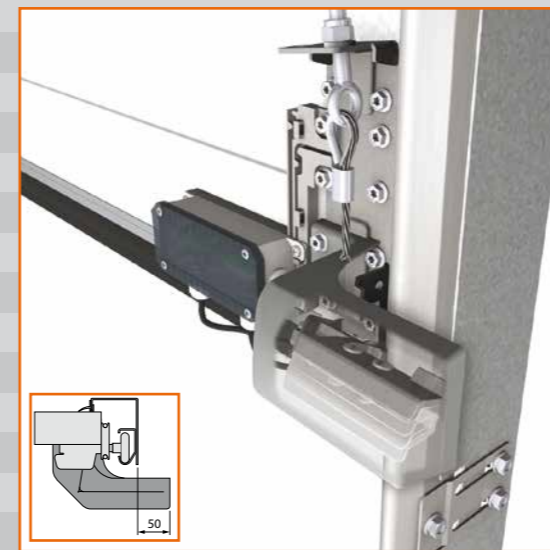


Safety is important when it comes to the frequently heavy vertical sectional doors, so Alpha offers mechanical and electric safety devices that prevent the door from coming into contact with people, vehicles and obstacles, and causing injury or damage to the doors and/or goods. Excessively safeguarding a sectional door is often unnecessary and could be disadvantageous, as it requires things like extra space for installation and use and could result in components obstructing or even damaging each other. That's why Alpha recommends you always observe the safety rules. We provide optimum safety systems that are certified by TÜV Nord and meet the very strictest requirements and standards.



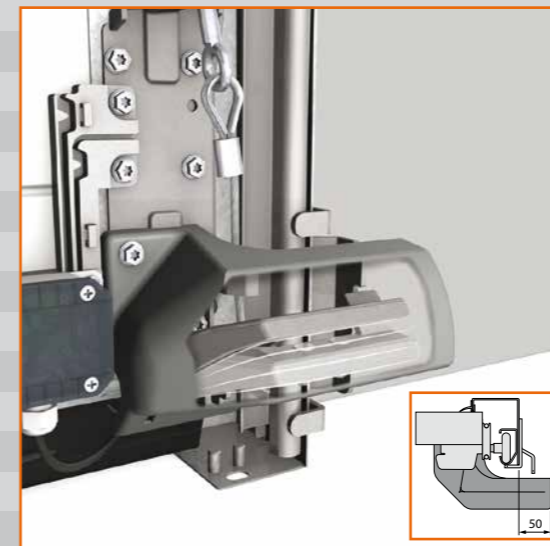
Spring break safety device

The European EN-13241-1 standard stipulates that a sectional door may never descend without being controlled. All manually operated sectional doors must therefore be fitted with a spring break safety device. This device blocks the spring shaft in the event of a spring breaking and prevents the door from crashing down. With motor driven sectional doors, instead of a spring break safety device there is a self-locking gearbox. This means a spring break safety device is unnecessary, as it is only required for a motor with a release system.



Cable break safety device

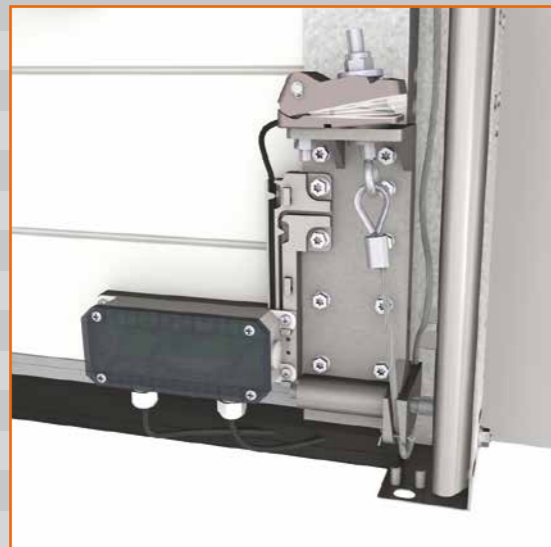
The TÜV sets out that the breaking load of both hoisting cables must be six times the weight of a balanced door panel. A cable break safety device is not required if the hoisting cables comply with this breaking load requirement. If that safety margin cannot be guaranteed, then the door must be fitted with a cable break safety device. This device guides safety cables through a system to prevent the door from crashing down should the cable break. An extra 50 mm is required alongside the rail to install a cable break safety device.



Locking device

Sectional doors are suspended on flexible cables, making it possible to raise them when they are unlocked. Designed especially for light, electrically operated doors, the locking device prevents this, because without it sectional doors are more vulnerable to break-ins. Manually operated doors are fitted with a spring-loaded mechanical slide lock as a standard. An extra 50 mm is required alongside the rail to install the locking device.

Electronic safety devices



Slack cable device

This safety device is installed on both hoisting cables and immediately disconnects the motor if one of the cables breaks or becomes slack.



Standard safety edge

The safety edge device is integrated together with a transmitter and receiver in the door's bottom rubber seal. If the signal is broken by an object or person, the door will stop and retract. The maximum contact pressure for the rubber seal is 40 kg. Choose the predictive obstacle safety edge if you have products that cannot withstand that level of pressure.



Predictive safety edge

The predictive safety edge is located 8 cm ahead of the door. If the bottom of the door approaches an obstacle, a signal is immediately sent to the motor and the door stops and reopens. This means the safety edge works without coming into contact with people, goods or transport vehicles.



Stationary photoelectric safety sensor

Motors with touch control must have a photoelectric safety sensor if the door opening is not visible to users while they are operating the door. There are two types: a model with a transmitter and reflector and a model with a transmitter and receiver. In both systems there is a transmitter attached to the rail on the control box side and a reflector or receiver attached to the opposite



rail. If the beam between the transmitter and the reflector/receiver is broken, a signal is sent to the motor to stop and reverse the movement. While the reflector system is sensitive to dust and moisture, this is not the case for the receiver model.

Wicket- and Side-doors 40 / 60 mm

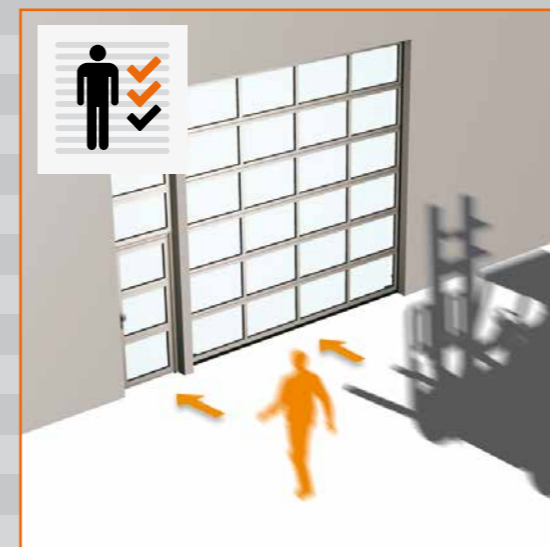
For keeping people and goods apart



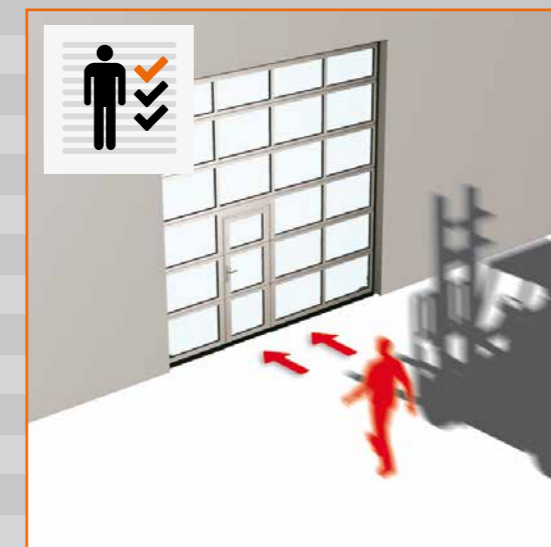
While a wicket door can be built into an ALU or ISO Alpha door, we recommend that wherever possible pedestrian traffic and goods traffic be kept apart. In other words, a permanent wicket door in the façade, separate from the sectional door, or a permanent wicket door next to the sectional door. The wicket door can be built into the sectional door, but this may affect the door's stability. It also presents limitations in terms of the door's width, height and threshold height, as a result of which the gate may not meet the current legal requirements for an emergency exit. Always discuss your plans with the local authorities so you can be sure you're choosing the right wicket door.



Completely separate doors for pedestrians and goods.



Separate doors for pedestrians and goods, but in the same opening structure.



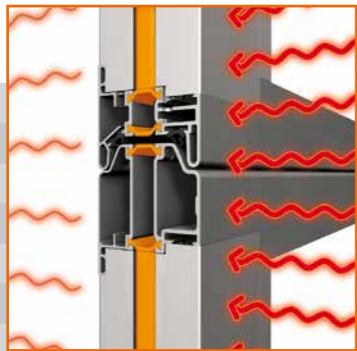
Wicket door for people built into a sectional door for goods.

Permanent wicket door next to the sectional door

The advantage of a permanent wicket door is that the doors for pedestrians and goods are completely separate. This increases safety, ease-of-use and the stability of the sectional door. A permanent wicket door is installed in the façade next to the sectional door, where the design and panel structure of the wicket door and top panel match the structure of the sectional door, unifying them and making them both architecturally and aesthetically pleasing.

Section seals

The sections of the ALU 60 door are specially sealed to make them completely wind and waterproof. Any heat transmission is prevented by the special insulation profiles.



Choose the right door

A permanent wicket door can open both inwards and outwards and you can choose between a left-hinged DIN standard door or a right-hinged DIN standard door. If the wicket door is also to be used as an emergency exit, the door must open outwards.

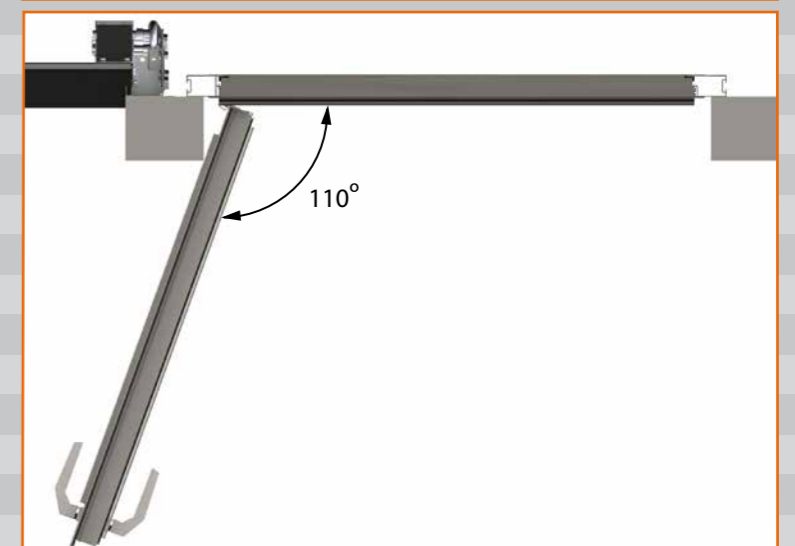
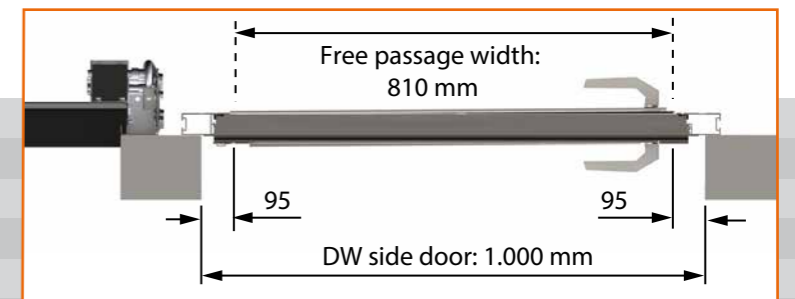


Installation onto or in the opening

A sectional door is always built against the interior side of the opening, so if you wish to install a permanent door in the same façade, Alpha will likewise always install it behind the opening. This has two advantages: firstly the doors are aligned, and secondly the width of the wicket door is 810 mm ($1000 + 50 - 240 = 810$ mm) for a 1,000 mm opening.

The first aspect is aesthetically pleasing, while the second means a gain of 60 mm compared to when it is installed in the actual opening.

If the wicket doorway is installed in the opening itself, the wicket door will stand forward from the sectional door and its width will only be 750 mm ($1000 - 10 - 240 = 750$ mm) in the same 1,000 mm opening.



Wicket door built into the sectional door

If you cannot install a permanent wicket door in the façade of your building, Alpha can build a wicket door into the sectional door. We offer various options for this, all of which meet the very highest structural, aesthetic and safety requirements. The built-in wicket door has a sophisticated integrated hinge system, an accurately-aligned locking system with stabilising pins and an integrated safety switch. Three choices are available for the threshold height: 22, 110 and 195 mm.

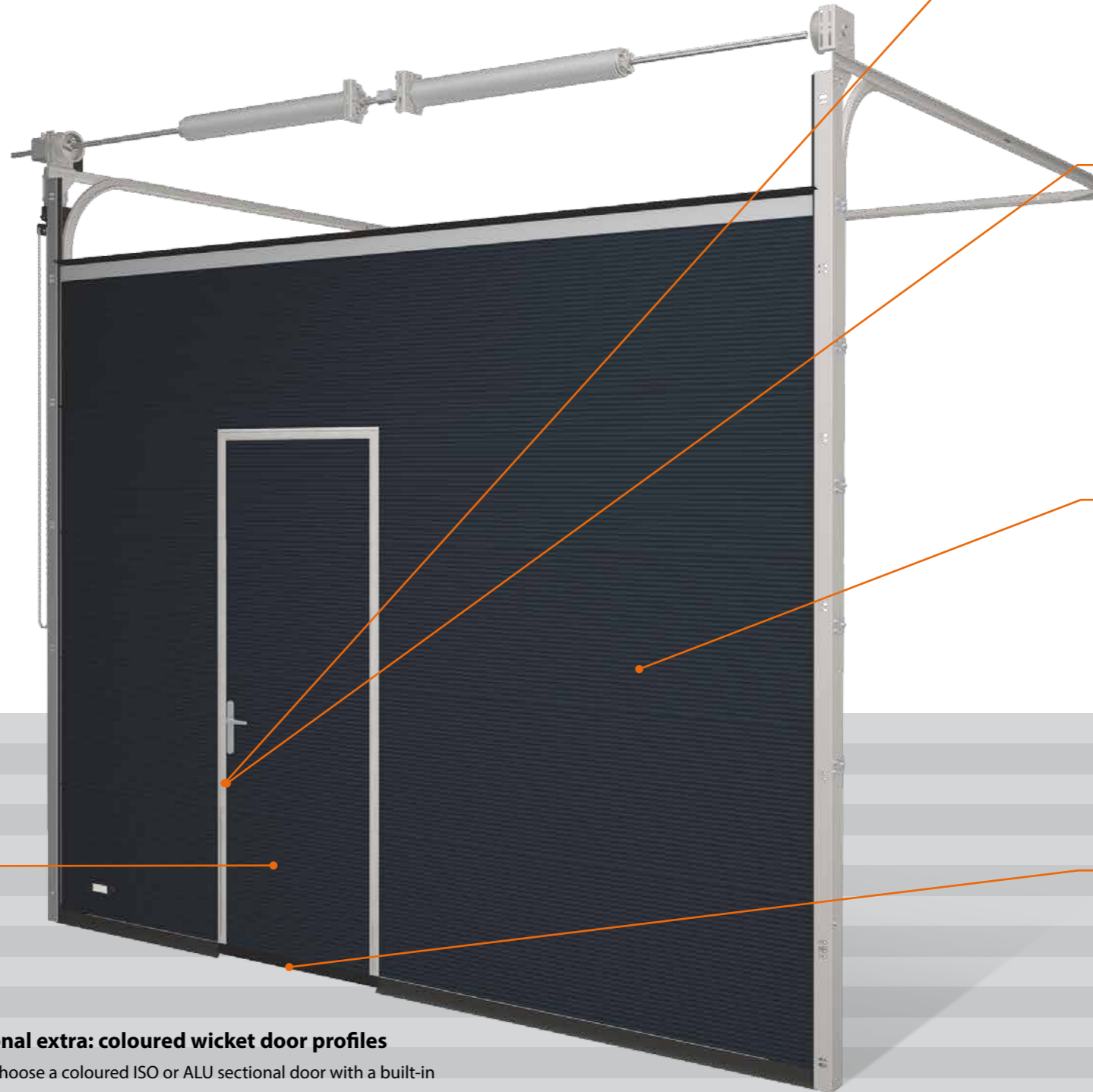


Aesthetically appealing wicket door

Alpha recently made significant improvements to its wicket door design, the main one being the integration of the hinge system into the sectional door. This means the fastenings are no longer visible on the exterior and the standard ALU wicket door profiles do not protrude as much.

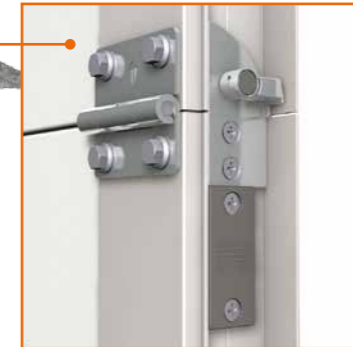
Optional extra: coloured wicket door profiles

If you choose a coloured ISO or ALU sectional door with a built-in wicket door, the wicket door profiles do not have to have the same colour as the door. This option is up to you, and while some people prefer a clearly visible wicket door, others like theirs to be less conspicuous. Alpha offers you both options.



Integrated wicket door switch

The wicket door switch, which is fitted under the safety catch, is an integrated safety device that prevents the sectional door from being operated when the wicket door is open.



Stabilising pins

The wicket door is held in perfect position by the stabilising pins. This means that the door will never "droop". The pins also create a more effective seal between the wicket door and the door. The magnetic contact of the wicket door switch is fitted beneath the pin.



Divider

A wicket door can never be positioned in the outermost parts of a sectional door, as this would affect its stability. The picture shows where the door can and cannot be installed. Wicket doors can be installed in sectional doors with a maximum door panel width of 6,000 mm. If you have a wider door, you will have to consider alternative options.



22 mm threshold

To restrict the risk of tripping when evacuating the building, Alpha has created a low 22 mm threshold. Such a low threshold meets on certain conditions national directives on emergency exits.



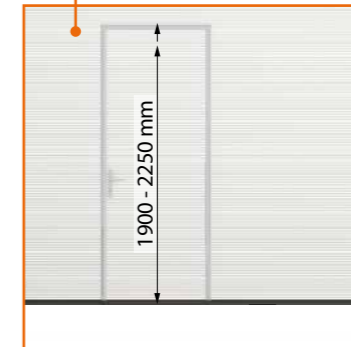
Integrated wicket door as an emergency exit

If you intend to use the built-in wicket door as an emergency exit, talk to the local authorities first and enquire about the regulations. The authorities stipulate the conditions that the wicket door must meet, depending on the number of people working or otherwise present in the building. As a rule, four aspects determine whether a wicket door is suitable as an emergency exit: the type of lock, the door width, the door height and the threshold height. Lastly, an integrated wicket door must always open outwards, as is required for any door that serves as an emergency exit.



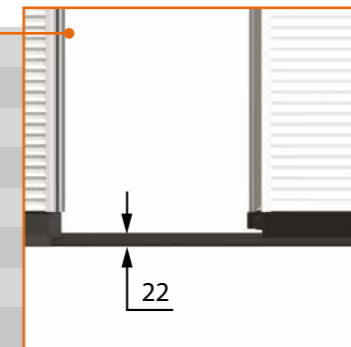
Panic lock

A wicket door that is to function as an emergency exit must be fitted with a panic lock. Various types of panic locks are available – see page 61 for more information. A wicket door with a panic lock can always be opened using the latch on the inside, even when the deadbolt is secured.



Door width and height

The legislative and inspection bodies stipulate that a wicket door which is to serve as an emergency exit must be of a minimum width and height, according to local or national regulations. The maximum width of an integrated wicket door is 940 mm and the maximum height is 2,250 mm. Talk to your local authorities if your wicket door is to serve as an emergency exit.



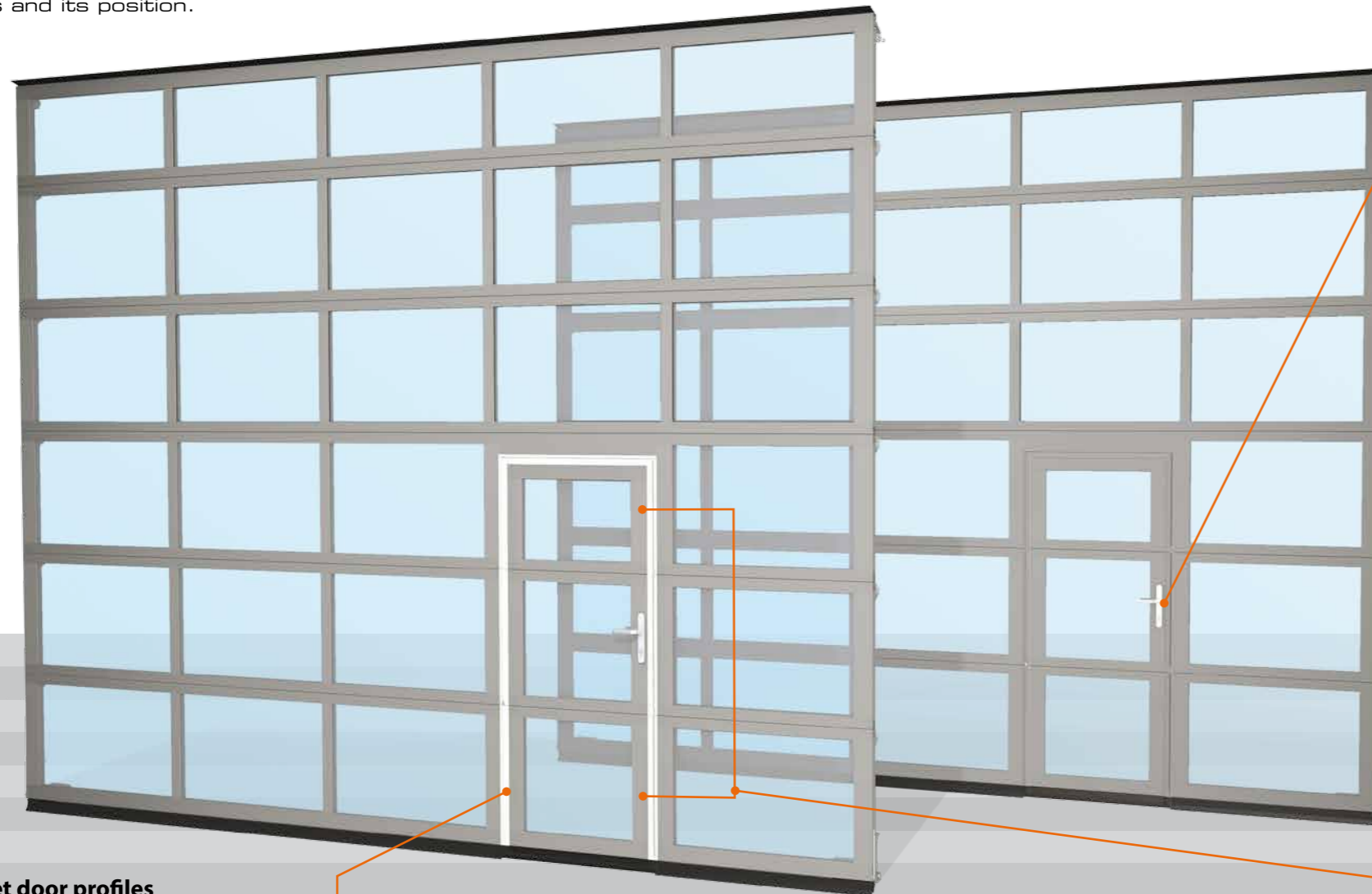
22 mm threshold

To restrict the risk of tripping when evacuating the building, Alpha has created a low 22 mm threshold. Such a low threshold meets on certain conditions national directives on emergency exits.



Wicket door accessories and options

Alpha invests heavily in creating options for the optimum integration of wicket doors into sectional doors. One of the main areas of attention is safety and ease-of-use, with special consideration given to making hinges, switches, security locks and locks as aesthetically pleasing as possible. We would also be happy to provide you with detailed individual advice on the available options for threshold heights, the direction in which the door opens, its dimensions and its position.



Coloured wicket door profiles

If you choose a coloured ISO or ALU sectional door with a built-in wicket door, the wicket door profiles do not have to be the same colour as the door. This is a matter of personal preference, and while some people prefer a clearly visible wicket door, others like theirs to be less conspicuous. Alpha offers you both options.



Additional security locks

For added safety, you can have two extra security locks fitted to the top and bottom sections of the wicket door. The same key can be used for all cylinder locks. The additional security locks have handles, so they can be opened without a key.

The Alpha wicket door lock range comprises six locks: two standard locks and four panic locks (if the wicket door also functions as an emergency exit).

Standard locks

Lock with a handle on either side ■

Lock with a fixed panel on the outside and a handle on the inside ■

Panic locks

Panic lock with a fixed door panel on the outside and a handle on the inside (panic function E) ■

Panic lock with a handle on either side (split tumbler, panic function B) ■

Panic lock with a fixed panel on the outside and push bar on the inside (panic function E) ■

Panic lock with a handle on the outside (split tumbler) and push bar on the inside (panic function B) ■

Depending on the situation, the fire brigade may stipulate that panic locks be installed.



Panic lock, with panic function E

With the type E panic lock, the door can always be locked with a key from inside. When the interior handle is turned, the latch and deadbolt are simultaneously retracted into the lock.

The panic release function can only be used when there is no key in the cylinder. The latch and deadbolt can only be opened from outside with a key. The deadbolt stays in the lock after the panic function has been used.

Use this lock if the wicket door is to serve as an emergency exit, but not as an entrance during the day.



Panic lock, with panic function B

The type B panic lock is operated from inside in the same way as the type E panic lock, but there is a handle on the outside that can be locked and unlocked. This means that, if required, the door can serve as an entrance during the day.

The lock works as follows: the wicket door can always be locked and unlocked from the outside with a key; when the deadbolt is locked using the key, the exterior handle will disengage and nothing will happen when it is turned.

The exterior handle will remain disengaged even when the panic function has been used and the deadbolt has been retracted into the lock. The night bolt stays in the lock after the panic function has been used. The lock can only be used with the exterior handle when the key is inserted into the cylinder, which re-engages the exterior handle.





Helix / S600



The superfast and space-saving Spiral-door

Alpha sets itself ambitious targets in the areas of insulation, noise and pricing. Our research & development department has succeeded in developing an unprecedentedly fast sectional door that also offers exceptional insulation performance: the Alpha Helix. Specially designed rollers keep noise to a minimum. This patented system also contributes to the sleek design of the Alpha Helix.

Traditionally, two doors are often mounted in frequently used exterior openings; an insulated door for use at night and a high speed door that is used during the day. The new Alpha Helix / S600 combines the best of both worlds in a single product. An investment that pays for itself in next to no time!

The S600 has the identical drive system as the Helix Spiral door but has a standard track system. This door opens 6x faster as a similar sectional door but can be installed into a headroom of only 600 mm. The S600 can also be equipped with a high frequency drive which increases the opening speed from 1.1 m/s to 1.5 m/s over 9x faster as a similar sectional door, "So Superfast".

The Helix has a standard section height of 366 mm, however with the S600 we can also use a section height of 488 mm in both ISO and ALU sections.



U-value Helix/ S600 ISO 40 mm sectional door: 5,000 x 5,000 mm: 1.05 W/m²K
 U-value Helix/ S600 ALU 40 mm sectional door: 5,000 x 5,000 mm: 4,25 W/m²K

The best of all Worlds, the Helix and S600

Speed

The Helix, Spiral-Door opens 6 x faster than similar sectional doors and is therefore extremely suitable in an environment where you have intensive logistic movements.

This door opens fast and depending on the door size up to 1.1 M per second and real savings on the energy cost can be achieved.

Energy-saving

The door leaf has a thickness of 40mm and a U-value of 1.5 / m²K (ISO panels / door leaf 5000 mm x 5000 mm). Additionally where requested we can provide high quality full width ALU vision sections.

Space-saving

The Helix Spiral Door is a revolutionary innovation and thanks to the spiral system and chain drive does not require extended backroom. To minimize wear and tear the Spiral action of the door means the panels do not touch, roll or fold upon them-selves. The Helix offers a solution in a room where the ceiling construction does not allow track hangers for a regular sectional door.

Durability

Because of the intelligent drive-system without counterbalance, the Helix Spiral door does hardly need any service upto 200.000 cycles.

Scopes

- Logistics
- Automotive industry
- Machine building
- Metal- and electrical-industry
- Food-industry
- Chemical and pharmaceutical industry



Helix / S600

Section Joint

The joint between the ISO and ALU sections is wind and watertight to (class 3-4 wind load)



Helix / S600

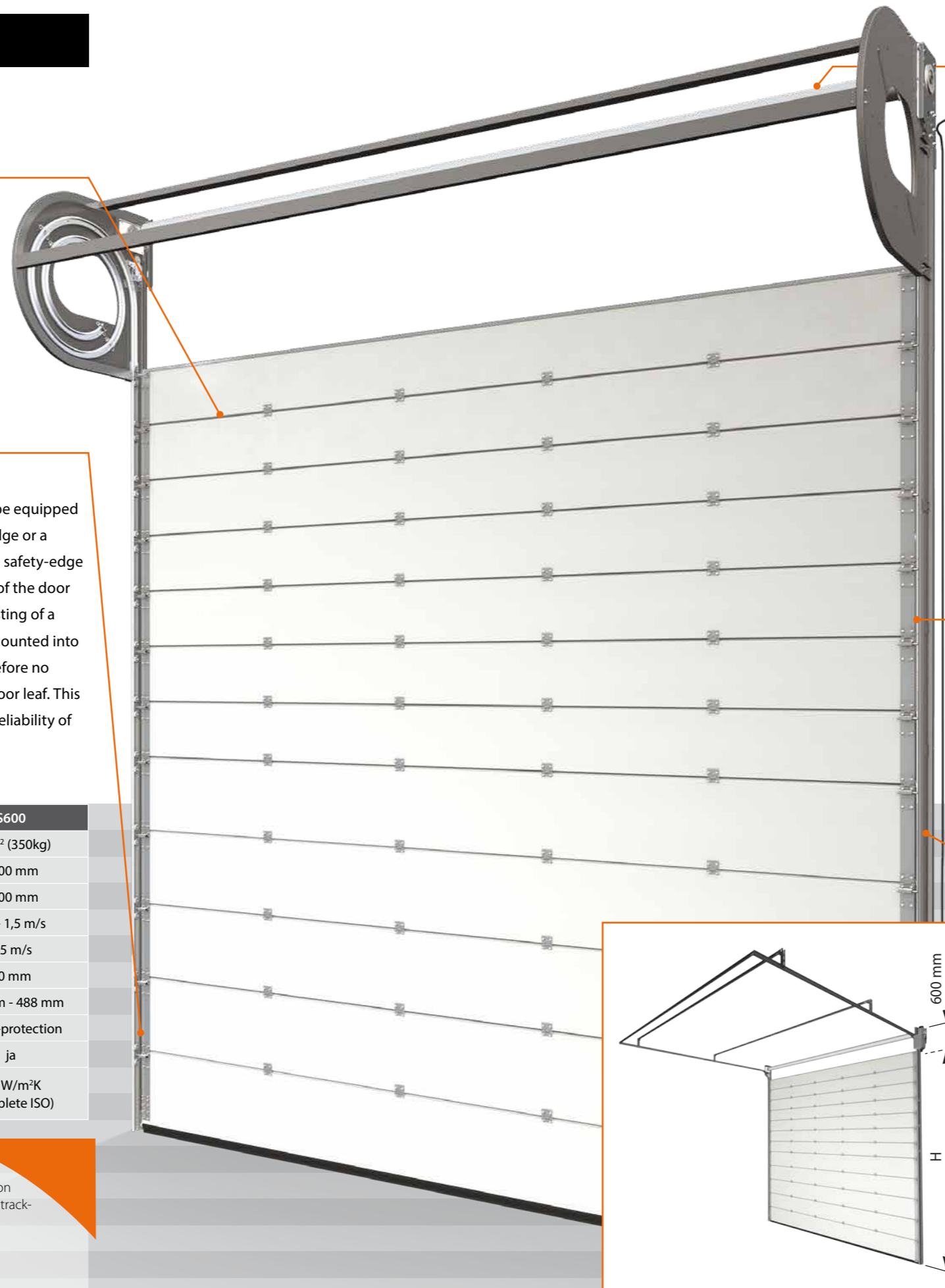
Safety

The Helix as the S600 can be equipped with pre-running safety-edge or a light-grid. The pre-running safety-edge is mounted in the bottom of the door leaf. The light-grid is consisting of a receiver and transmitter, mounted into the track system, and therefore no wiring is required on the door leaf. This improves the operational reliability of this superfast Door.

Specifications	Helix	S600
Max. Door leaf-surface	25 m ² (350kg)	25 m ² (350kg)
Max. Width	5000 mm	6000 mm
Max. height	5000 mm	5000 mm
Opening speed	1,1 m/s	1.1 - 1,5 m/s
Closing speed	0,5 m/s	0,5 m/s
Section-thickness	40 mm	40 mm
Section-height	366 mm	366 mm - 488 mm
Section-Joint	Finger-protection	Finger-protection
ALU-sections option	ja	ja
U Value at 5.000 x 5.000 mm	1,5 W/m ² K (complete ISO)	1,5 W/m ² K (complete ISO)

FEATURES AND BENEFITS

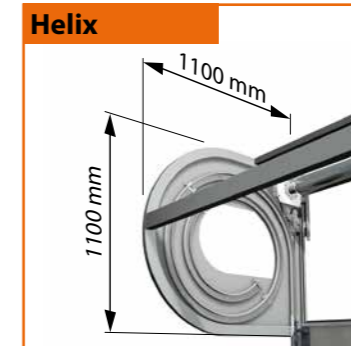
- Low maintenance (200,000 cycles) Springless system.
- Pre-running safety-edge or light-grid (no wiring on the door leaf).
- Class 3-4 Wind load.
- High insulation value.
- Quick and simple installation because of pre-assembled track- and drive-system
- High opening speed.



Helix

Torque-tube

The Helix Spiral Door and the S600 are equipped with a direct drive aluminium Torque-tube and is without spring assistance.



Helix

Installation space

The Helix Spiral Door coils itself up against the interior facade of the building and the build in space is 1100 mm x 1100 mm at the head, 550 mm on the drive side and 110 mm on the non drive side.



Helix / S600

Compact Side-hinges

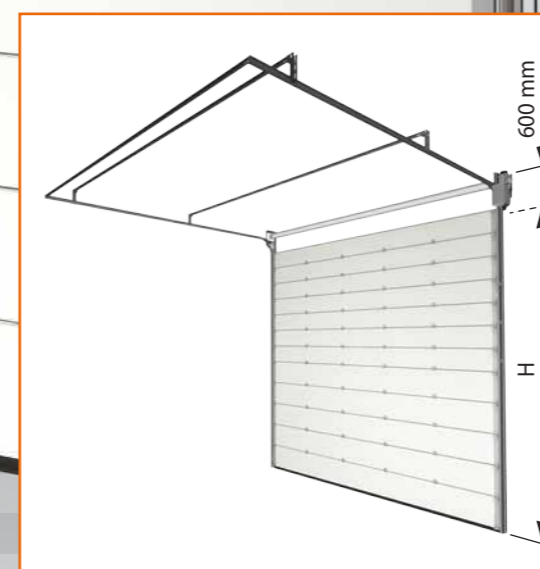
For extra safety the panel connecting hinges are almost flat and ensure a perfect seal with the vertical side seals



Helix / S600

Drive-concept

The uninterrupted chain-/ steel-cable system ensures precise and controlled door-movement even at high speed.





The complete package from a single source.

Our production is controlled and in full accordance with strict European laws and norms. We guarantee the highest quality as we only accept components from trusted and preferred suppliers worldwide. In addition and to offer the complete assortment we have forged strategic partnerships with other like-minded producers of Industrial Doors. Uniquely and from a single source Alpha guarantees the complete package with the highest quality.



Alpha deuren International BV

Eekhegstraat 3-5 ■ 6942 GB Didam Netherlands
Telefon +31 316 228066 ■ Telefax +31 316 227662
info@alpha-deuren.nl ■ www.alpha-deuren.nl